

**NA6902-XL**

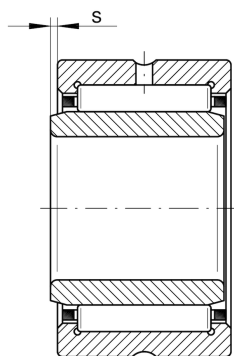
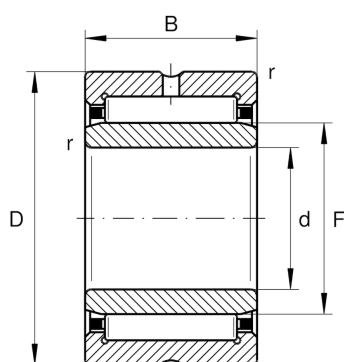
## Needle roller bearing

Schaeffler ID:  
0507441430000

Needle roller bearing NA69..-XL, single row, with inner ring, outer ring with 2 bords

X-life

## Technical information

**Main Dimensions & Performance Data**

d	15 mm	Bore diameter
D	28 mm	Outside diameter
B	23 mm	Width
$C_r$	19,500 N	Basic dynamic load rating, radial
$C_{0r}$	25,500 N	Basic static load rating, radial
$C_{ur}$	4,550 N	Fatigue load limit, radial
$n_G$	21,100 1/min	Limiting speed
$n_{gr}$	10,900 1/min	Reference speed
	0.064 kg	Weight

**Dimensions**

F	20 mm	Raceway diameter inner ring
$r_{min}$	0.3 mm	Minimum chamfer dimension
s	1 mm	Axial displacement

**Temperature range**

$T_{min}$	-30 °C	Operating temperature min.
$T_{max}$	120 °C	Operating temperature max.